



6468  
Transit and Rail Seating



## 6468 Transit Seating

This classic design offers superior comfort and durability. A versatile seat with a variety of features and options that can be tailored to suit your specific needs.

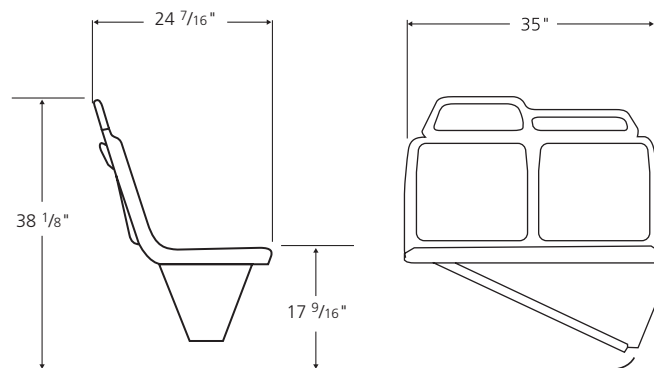


### Features

- Pre-formed, fire-resistant, molded fiberglass shell gives color consistency, maximum strength and minimum weight
- Molded fiberglass inserts with quick release for easy maintenance
- High-strength thermoplastic back with recessed areas for knee clearance and patented bubble crash pad for durability, comfort and safety
- High-strength, fatigue-resistant, welded steel frame with durable powder-coat paint finish
- Energy-absorbing, textured thermoplastic molded color grabrail (standard)
- Rivetless attachment of shell to frame eliminates snagging and cracking hazards and facilitates easy shell replacement

### Options

- Variety of coach mounting configurations are available, including cantilever, stainless steel, T-pedestal and carbon steel
- Wide range of standard colors coordinate with virtually any coach interior
- Available in a choice of vandal-resistance (VR-50) or cut-resistant (CR-50) upholstery insert options. Padded as well as non-upholstered fiberglass inserts are also offered
- Seat insert drain holes with grommets available, excluding plush pads
- Stainless-steel safety grab rail
- Flip-up seats are available to accommodate passengers using mobility aids
- Integrates with Securement Systems for A.D.A. compliance
- All-stainless-steel frame and back panel available



### Our Mission

Since 1886, American Seating has set the standard for product design, durability and comfort. Our first transportation seat was introduced in 1931, and today we remain committed to exceeding the expectations of our customers. Our achievements serve as the platform for new and innovative products that are the benchmarks of our industry.



801 Broadway Ave. NW, Grand Rapids, MI 49504-4499  
Phone 616-732-6600 800-748-0268 FAX 616-732-6401  
americanseating.com

American Seating is a registered trademark of American Seating Company  
Form No. T-6468-16 ©2016 American Seating Company



All products designed, engineered, manufactured, and tested in the USA.



American Seating is committed to lessening our impact on the planet through responsible stewardship of our environment.