



6566

Multi-Purpose Passenger Seating



 AMERICANSEATING

6566
Multi-Purpose
Passenger Seating

Deep cushion and firm support provide a luxury seat with superior comfort and ease of maintenance.

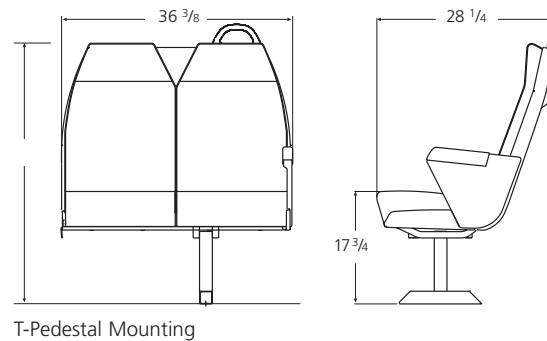


Features

- Individually upholstered cushion assemblies are mounted over arched, serpentine springs for long wear and superior comfort. Easy-to-remove upholstery simplifies cleaning and replacement
- High-strength, fatigue resistant, steel frame with durable powder-coat finish
- High-strength thermoplastic back panel, recessed for maximum knee clearance. "Wrap-around" design interlocks with aisle trim panels. Integrally molded "bubble" crash pads add durability and safety
- Stylized assist grip in the center of the back, facilitates safe and quick exit from the seat behind

Options

- A variety of coach mounts, including cantilevered and T-pedestal
- Vinyl or fabric upholstery offered in a variety of colors and styles
- Aisle side armrest (pictured)
- Cushions and backs offered in standard polyurethane or low-smoke foam
- Grab handle for upper aisle-side of back (pictured)
- The Model 6566 is 36 1/8" wide. Model 6567 is 35 1/4" wide



Our Mission

Since 1886, American Seating has set the standard for product design, durability and comfort. Our first transportation seat was introduced in 1931, and today we remain committed to exceeding the expectations of our customers. Our achievements serve as the platform for new and innovative products that are the benchmarks of our industry.



801 Broadway Ave. NW, Grand Rapids, MI 49504-4499
Phone 616-732-6600 800-748-0268 FAX 616-732-6401
americanseating.com

American Seating is a registered trademarks of American Seating Company
Form No. T-6566-16 ©2016 American Seating Company



All products designed, engineered, manufactured, and tested in the USA.



American Seating is committed to lessening our impact on the planet through responsible stewardship of our environment.